

Features

- 3-15/16" (100 mm) spout reach.
- 0.5 gpm (1.9 lpm) maximum flow rate.
- Water-saving vandal-resistant aerator.
- Single lever handle allows for simultaneous on/off activation and temperature setting.
- High-temperature limit setting for added safety.
- KOHLER ceramic disc valves exceed industry longevity standards for a lifetime of durable performance.
- Grid drain.
- Less lift rod, lift rod hole.

Material

- Premium metal construction for durability and reliability.
- KOHLER finishes resist corrosion and tarnishing.

Installation

- Single-hole installation (escutcheon plate sold separately).
- Preattached flexible supply lines simplify installation.

Recommended Products/Accessories

K-23726 Drain treatment
K-23723 Faucet cleaner

Optional Products/Accessories

1394616 Single hole escutcheon kit



ADA CSA B651 OBC

Codes/Standards

ASME A112.18.1/CSA B125.1
NSF/ANSI 61
NSF/ANSI 372
All applicable US Federal and State material regulations
DOE - Energy Policy Act 1992
California Energy Commission (CEC)
ADA
ICC/ANSI A117.1
CSA B651
OBC

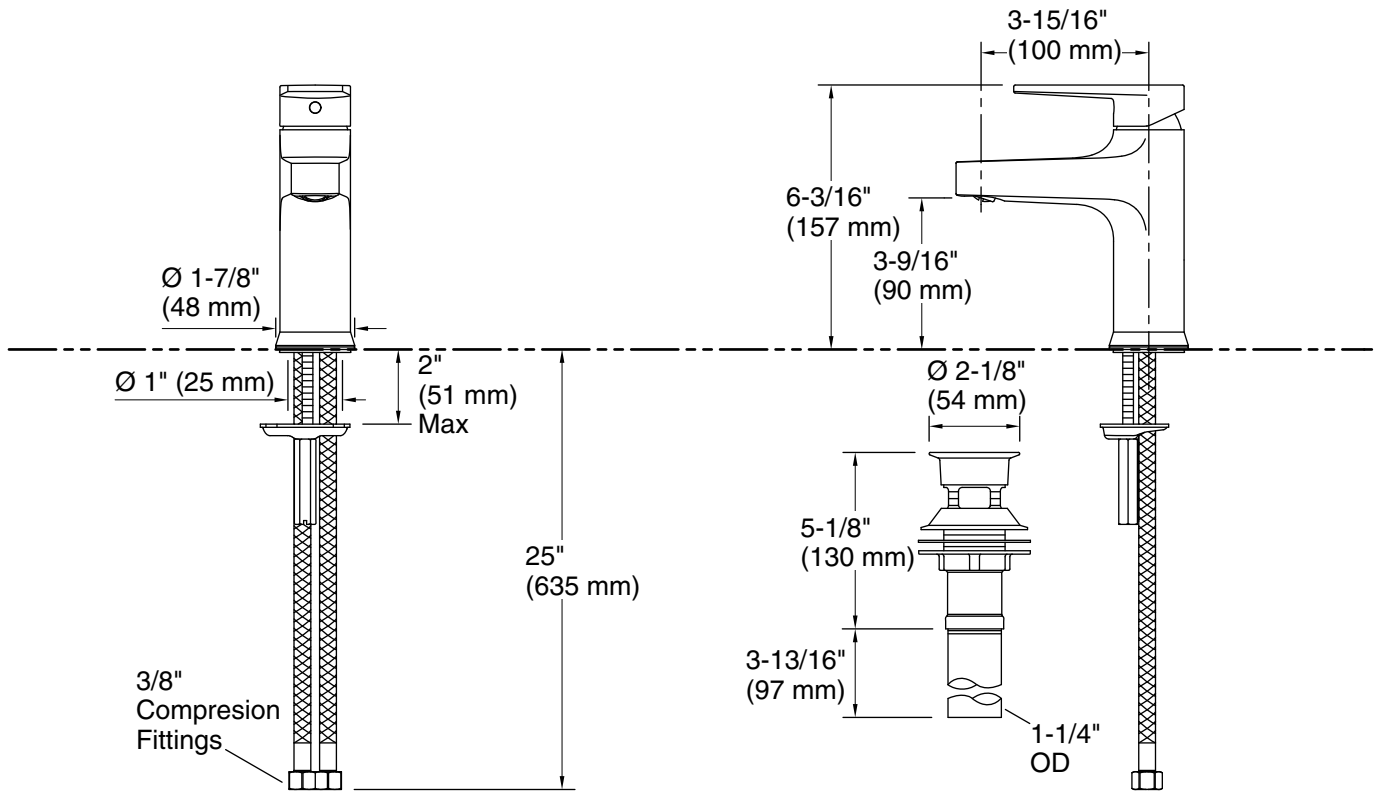
KOHLER® Faucet Lifetime Limited Warranty

See website for detailed warranty information.

Available Colors/Finishes

Color tiles intended for reference only.

Color	Code	Description
	CP	Polished Chrome



Technical Information

All product dimensions are nominal.

Faucet:

Flow rate: 0.5 gal/min (1.9 l/min)

Pressure: 60 psi (4.1 bar)

Drain included: Yes

Spout:

Spout reach: 3-15/16" (100 mm)

Notes

Install this product according to the installation instructions.

ADA compliant for handles only.

ADA, OBC, CSA B651 compliant when installed to the specific requirements of these regulations.